

Installation Instructions

.....

TGSUV1B SUV Salt Spreader



SPREADER ASSEMBLY

Check contents of box against parts list to make sure all components are included. When ordering replacement or spare parts refer to parts list for part numbers.

TOOLS NEEDED FOR ASSEMBLY

- 3/8 or 1/2 drives ratchet with 3/8, 7/16, 1/2, 9/16 & 15/16 sockets.
- 7/16, 1/2, 9/16 & 15/16 wrench.
- 1/8" Allen wrench

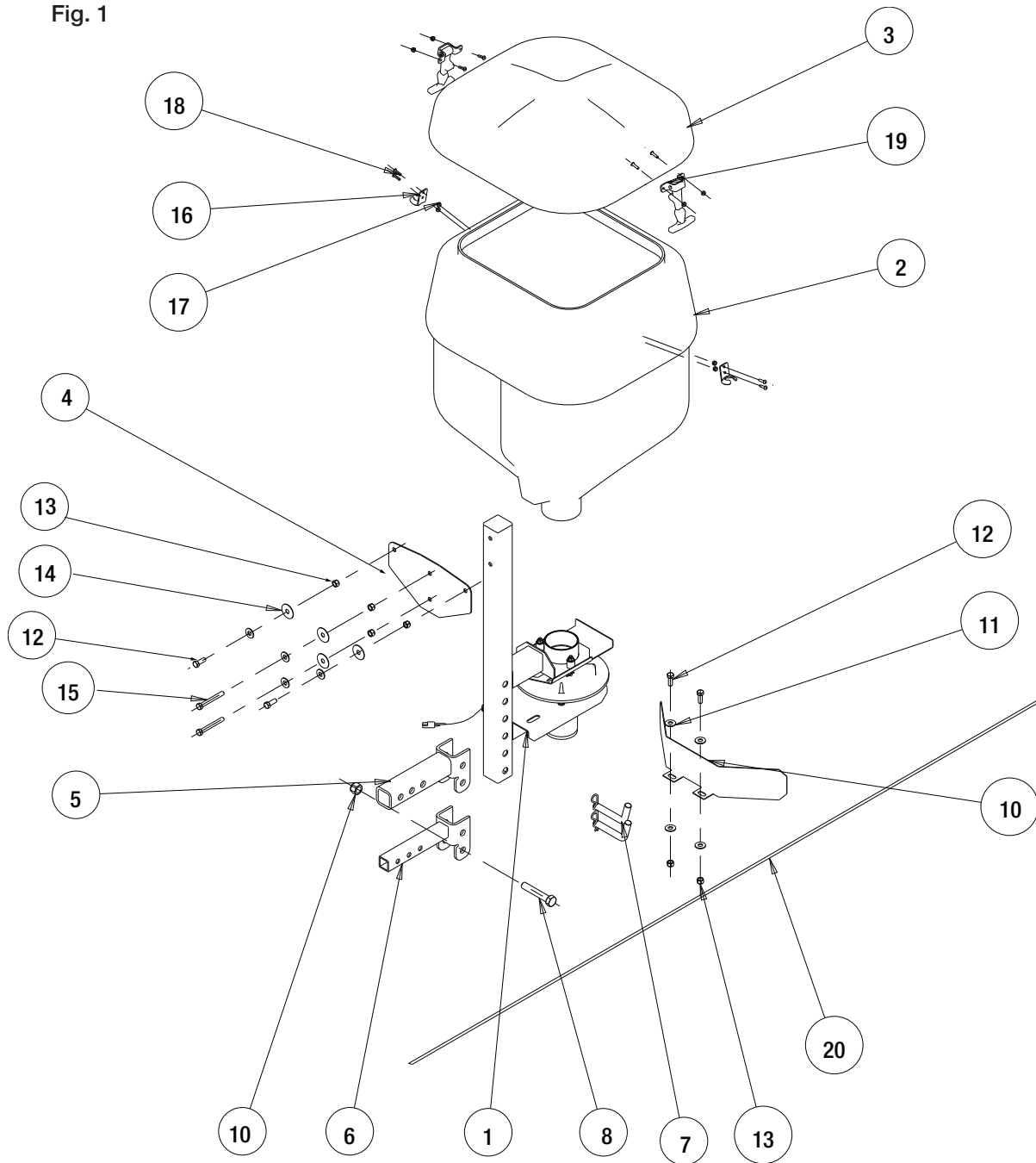
SPINNER SHIELD AND RECEIVER MOUNT

See Fig.1

Install the 2" or 1-1/4" receiver mount (5 or 6) into your truck or SUV receiver hitch. Secure receiver mount using hitch pin (7). Attach the motor/frame assembly (1) to the receiver mount by inserting the 5/8 bolt and nut (8, 9) in the bottom hole and the hitch pin (7) in the top hole. **It is recommended to mount the frame at the highest possible position for assembly purposes.** Install the spinner shield (10) with 3/8-16 x 1 hex head cap screws, flat washers and hex nuts (11, 12, and 13). Position the shield about a 1/2" away from the spinner and center it to the spinner. The shield position can be changed later to alter the salt pattern if needed.

—continued inside

Fig. 1

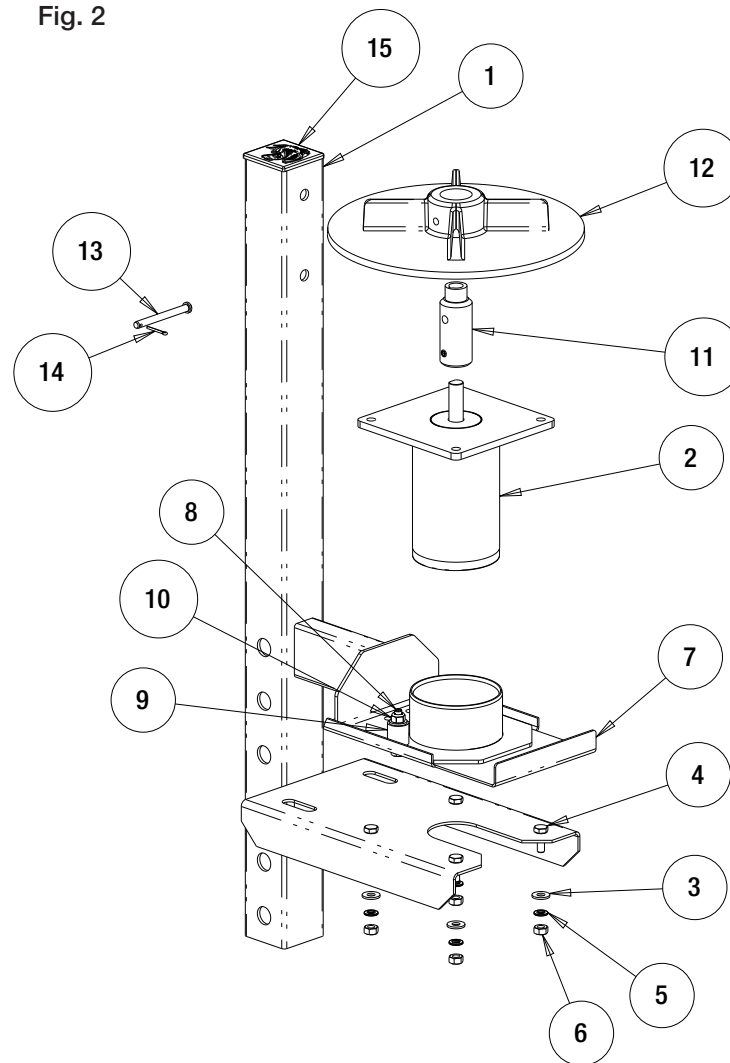


Bill of Materials

ITEM	PART NO.	QTY.	DESCRIPTION
1	3017105	1	Motor and Frame Assy., TGSUV1A
2	3013283	1	Hopper, w/ Insert & Graphics, Assy., TGSUV1
3	3003571	1	Lid, TGSUV1
4	3015788	1	Retainer Hopper
5	3004589	1	Rec. Mount, Swing Down, TGSUV1 Weldment
6	3004590	1	Rec. Mount, 1-1/4, Fold Down, Weldment, TGSUV1
7	3005977	1	Shield, Spinner, TGSUV1A
8	HP6253WC	2	Hitch Pin w/ HP Cotter, Chrome
9	300544	1	Screw, HH Cap 5/8-11 x 3.5 GR 5 ZN

ITEM	PART NO.	QTY.	DESCRIPTION
10	FNE063011069	1	Nut, Nylock 5/8-11
11	FWF038100007SS	8	Washer, Flat 3/8 USS SST
12	FCS038016100SS	4	Screw, HHC 3/8-16 x 1 304 SST
13	FNE038016044SS	6	Nut, Nylock 3/8-16 x 7/16 SST
14	3007115	4	Washer, Flat, 3/8 x 1.5
15	3007068	2	Cap Screw, HX HD-3/8-16 x 3 SST
16	3000626P	2	Keeper, Latch
17	FNE010024024SS	8	Nut, Nylock 10-24
18	FBSH01002475SS	8	Screw BHC 10.24 x .75
19	3002982	2	Strap, Hood Catch, Black
20	3001152	1	Harness, Wire Complete TGS

Fig. 2



HOPPER & RETAINER

See Fig.1 on pg. 2

Slide the hopper onto the sleeve below until the holes in the hopper line up with the holes in the frame tube. Install hopper retainer (4) using two 3/8-16 x 3 hex cap screws (15) and two 3/8-16 x 1 hex cap screws (12) from the outside of the retainer through the retainer, tube and hopper. Install 4 large flat washers (14) inside hopper and 4 smaller 3/8 flat washers (11) outside retainer. Secure hopper to frame with 4 3/8-16 nuts (13). Install the cover latch keepers (16) onto the hopper using #10-24 socket head screws (18) and nuts (17). Make sure the keeper (16) is facing down with the screws on top and that the screw head is on the outside and the nuts are on the inside. Install the cover latches (19) onto the cover using #10-24 socket head screws and nuts. Insert the screw thru the inside of the cover so that the nuts are on the outside of the cover.

Bill of Materials

ITEM	PART NO.	QTY.	DESCRIPTION
1	3017104	1	FRAME WELDED TGSUV1B
2	3005693	1	MOTOR, 12VDC, 1000 RPM, 1/8 HP W/ SAE CONN.
3	FWF025063007SS	8	WASHER, FLAT 1/4 SAE SS
4	FCS025020075SS	4	SCREW, CAP 1/4-20 X 3/4 SST
5	FWL025050006SS	4	WASHER, 1/4 IN. SPRING LOCK SST
6	FNH02502021SS	4	NUT, HEX 1/4-20 SST
7	3007502	1	GATE, FLOW ADJUSTER, TGSUV1B
8	FCS025020150SS	2	SCREW, HHC, 1/4-20 X 1.50, SST
9	3007508	2	SPRING, GATE, TGSUV1
10	FNE025020031SS	2	NUT, NYLOCK, 1/4-20, GR A, SST
11	3007809	1	HUB, SPINNER, TGSUV1 W/SET SCREW INSTALLED
12	3005705	1	SPINNER, POLY, TGSUV1
13	1420014SS	1	PIN CLEVIS, 1/4 X 2.5, SST
14	FPC007800075SS	1	COTTER PIN, 5/64 X 3/4, SST
15	3023316	1	CAP, 2 INCH TUBING PUSH IN

OPERATION

Install unit on vehicle by sliding into receiver hitch. Be sure to install receiver safety pin. Plug wire harness (20) into the aux. power outlet. The aux. power outlet of the vehicle should be rated at 20 amps – check the vehicles owners manual. Wire harness comes equipped with a 15 amp fuse. **DO NOT USE FUSES RATED FOR MORE THAN 20 AMPS IN THE SPREADER WIRING HARNESS PLUG.**

VARIOUS MATERIALS HAVE DIFFERENT MOISTURE ABSORPTION RATE; SOME MATERIALS MAY NOT PERFORM AS DESIRED. THEREFORE, THE SUBSTITUTION OF THE ALTERNATE MATERIAL MAY BE NECESSARY FOR OPTIMUM PERFORMANCE.

ADJUSTMENT

See Fig.2 on pg. 3

Adjust flow gate (9) to achieve desired material flow. To move flow gate easily adjust rubber springs (11) by loosening 1/4-20 screws and nuts (10, 12); retighten after gate is in desired position. Fill hopper with just enough material to use it completely.

CAUTION

When filling hopper, make certain there are no large objects contained in the material, which can cause spreader to clog or spinner to stop and blow the fuse. Never leave material in the hopper for extended periods of time.

MAINTENANCE

1. Periodically inspect and retighten, if necessary, loose nuts and bolts.
2. Inspect electrical components for damaged insulation. Replace any electrical component if the insulation is damaged or broken.
3. Empty hopper after each use and hose the spreader off.

DO NOT ATTEMPT TO TILT SPREADER WITH MATERIAL IN THE HOPPER OR WHILE VEHICLE IS MOVING.

FULL ONE YEAR WARRANTY

Manufacturer will repair, or at manufacturer's discretion will replace any part of this salt spreader which proves to be defective in workmanship or material under normal use for a period of one year from the date of delivery to the original purchaser. Any cost incurred in returning the product to the supplier is the responsibility of the consumer.

EXCLUSIONS

Manufacturer shall not be liable for special, incidental, or consequential damages, or for damages resulting from lack of necessary maintenance, from misuse, abuse, acts of God, or alteration of the product. Some states do not allow the exclusion or limitation of incidental or consequential damages, so the above limitation or exclusion may not apply to you.